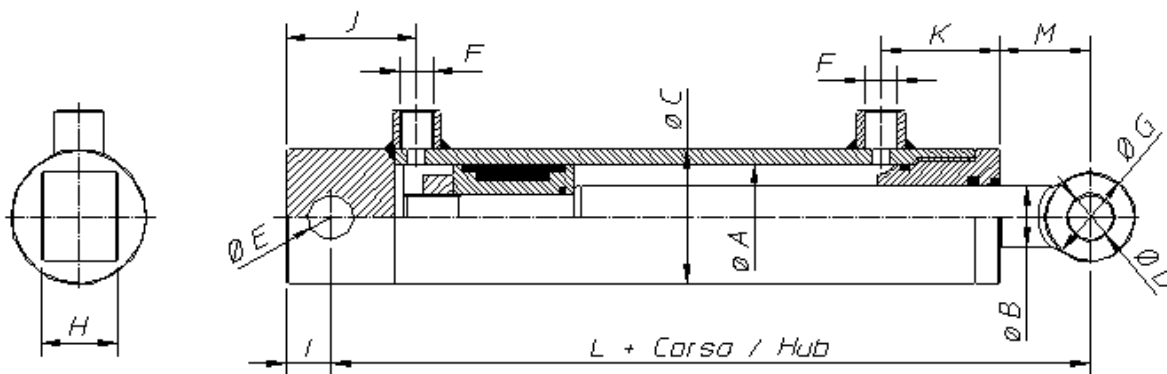
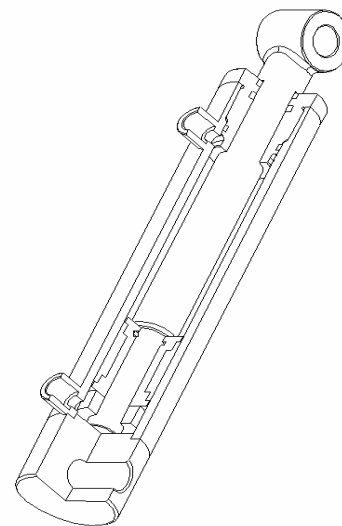


## Cilindro a doppio effetto

Serie "BF"

PRESS. D'ESERCIZIO: 210 BAR

PRESS. DI COLLAUDO: 300 BAR



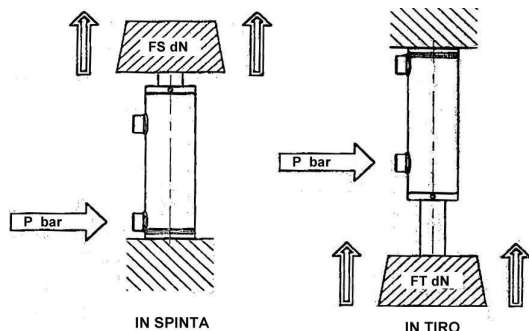
Sistema di ordinazione

BF  $\varnothing A$ -CORSA

es: BF 35-400

| canna           | stelo           |                 |     | +0,1/+0,3       | +0,1/+0,3       |       |                 |    |    |    |    |    |  |  |
|-----------------|-----------------|-----------------|-----|-----------------|-----------------|-------|-----------------|----|----|----|----|----|--|--|
| $\varnothing A$ | $\varnothing B$ | $\varnothing C$ | L   | $\varnothing D$ | $\varnothing E$ | F     | $\varnothing G$ | H  | I  | J  | K  | M  |  |  |
| 35              | 20              | 45              | 150 | 15              | 15              | G 1/4 | 30              | 25 | 15 | 42 | 39 | 30 |  |  |
| 40              | 25              | 50              | 160 | 20              | 20              | G 1/4 | 40              | 35 | 15 | 50 | 39 | 40 |  |  |

| $\varnothing A$ | Corsa / Hub (mm.) |     |     |     |     |     |     |     |     |     |     |     |     |      |
|-----------------|-------------------|-----|-----|-----|-----|-----|-----|-----|-----|-----|-----|-----|-----|------|
| 35              | 100               | 150 | 200 | 250 | 300 | 350 | 400 | 450 | 500 | 550 | 600 | 700 | 800 | 1000 |
| 40              | 100               | 150 | 200 | 250 | 300 | 350 | 400 | 450 | 500 | 550 | 600 | 700 | 800 | 1000 |



| $\varnothing A$ | FORZA IN SPINTA |              | FORZA IN TIRO |              |
|-----------------|-----------------|--------------|---------------|--------------|
|                 | daN per bar     | daN a 210bar | daN per bar   | daN a 210bar |
| 35              | 9,61            | 2020         | 6,48          | 1360         |
| 40              | 12,57           | 2639         | 7,66          | 1608         |